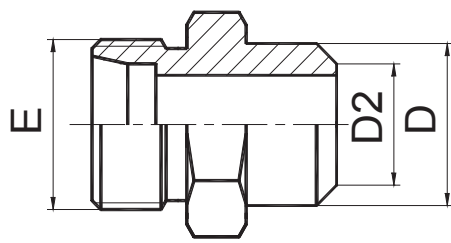
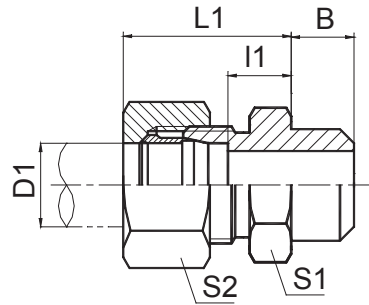


# DIN 卡套式管接头



**1CW**  
**1DW**



**1CW-RN**  
**1DW-RN**

焊接接头  
WELD FITTINGS

| 代号<br>PART NO. | 螺纹 THREAD |  | 管子外径 TUBE O.D. |    | 尺寸 DIMENSIONS |    |      |    |    |    | 压力等级<br>MPa      |
|----------------|-----------|--|----------------|----|---------------|----|------|----|----|----|------------------|
|                | E         |  | D1             | D2 | B             | D  | I1   | L1 | S1 | S2 |                  |
| 1CW-12-06      | M12x1.5   |  | 6              | 6  | 7             | 10 | 7    | 22 | 12 | 14 | 31.5<br>轻系列<br>L |
| 1CW-14-08      | M14x1.5   |  | 8              | 8  | 8             | 12 | 8    | 23 | 14 | 17 |                  |
| 1CW-16-10      | M16x1.5   |  | 10             | 10 | 8             | 14 | 9    | 24 | 17 | 19 |                  |
| 1CW-18-12      | M18x1.5   |  | 12             | 12 | 8             | 16 | 10   | 25 | 19 | 22 |                  |
| 1CW-22-15      | M22x1.5   |  | 15             | 15 | 10            | 19 | 11   | 26 | 22 | 27 |                  |
| 1CW-26-18      | M26x1.5   |  | 18             | 18 | 10            | 22 | 11.5 | 28 | 27 | 32 |                  |
| 1CW-26-22      | M26x1.5   |  | 18             | 22 | 10            | 27 | 13.5 | 28 | 27 | 32 | 16<br>轻系列<br>L   |
| 1CW-30-22      | M30x2     |  | 22             | 22 | 12            | 27 | 13.5 | 30 | 32 | 36 |                  |
| 1CW-30-25      | M30x2     |  | 22             | 25 | 12            | 31 | 13.5 | 30 | 32 | 36 |                  |
| 1CW-36-28      | M36x2     |  | 28             | 28 | 12            | 32 | 16.5 | 33 | 38 | 41 |                  |
| 1CW-45-35      | M45x2     |  | 35             | 35 | 14            | 40 | 14.5 | 36 | 46 | 50 |                  |
| 1CW-52-42      | M52x2     |  | 42             | 42 | 16            | 46 | 16   | 39 | 55 | 60 | 63<br>重系列<br>S   |
| 1DW-14-06      | M14x1.5   |  | 6              | 6  | 7             | 11 | 11   | 26 | 14 | 17 |                  |
| 1DW-16-08      | M16x1.5   |  | 8              | 8  | 8             | 13 | 13   | 28 | 17 | 19 |                  |
| 1DW-18-10      | M18x1.5   |  | 10             | 10 | 8             | 15 | 12.5 | 29 | 19 | 22 |                  |
| 1DW-20-12      | M20x1.5   |  | 12             | 12 | 10            | 17 | 14.5 | 31 | 22 | 24 |                  |
| 1DW-22-14      | M22x1.5   |  | 14             | 14 | 10            | 19 | 16   | 34 | 24 | 27 |                  |
| 1DW-24-16      | M24x1.5   |  | 16             | 16 | 10            | 21 | 15.5 | 34 | 27 | 30 |                  |
| 1DW-30-20      | M30x2     |  | 20             | 20 | 12            | 26 | 17.5 | 39 | 32 | 36 |                  |
| 1DW-36-25      | M36x2     |  | 25             | 25 | 12            | 31 | 20   | 44 | 41 | 46 |                  |
| 1DW-42-30      | M42x2     |  | 30             | 30 | 14            | 36 | 20.5 | 47 | 46 | 50 | 40<br>重系列<br>S   |
| 1DW-52-38      | M52x2     |  | 38             | 38 | 16            | 44 | 23   | 54 | 55 | 60 |                  |

注：如需带卡套及卡套螺母整套订货，则请在代号后加“RN”，如1C9-30RN。

Note: In case if you are interested to order the adapter in complete set with cutting ring and nut ,it is necessary to insert suffix "RN" after our part no., for example 1C9-30RN.